

4.3/10 FEMALE TO 4.3/10 FEMALE RF ADAPTER(BH)

Specifications of 4.3/10(MINI DIN) Female to 4.3/10(MINI DIN) Female (Bulkhead) RF Adapter:

Mechanical characteristics:

Model		43MD/F-43MD/F(BH)
Frequency Range		0~6GHz
Contact Resistance	Inner Conductor	≤0.4 mΩ
	Outer Conductor	≤1.5 mΩ
Insulation Resistance		≥5000 MΩ
Withstanding Voltage AC(V/min)		≥3000V
VSWR		≤1.08(0~3GHz) , ≤1.20(0~6GHz)
PIM (2X43dBm)		<-165dBc (<-168dBc Typical)
Insertion Loss		≤0.1dB
Impedance		50Ω
Durability		500 Cycles

When results tested by different analyzers are different should adopt the HP testing device as criteria.

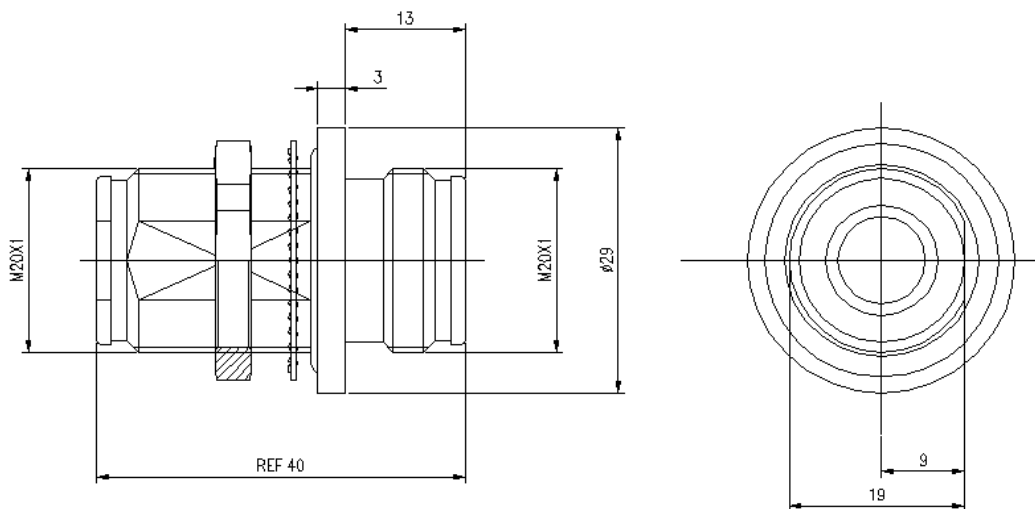
Working environment: Working temperature: -55~+155°, Relative moisture : 90%~95%(Temperature: 40±2°C)

Atmospheric pressure: (70~106)Kpa.

Material & Plating:

Name of Part	Material	Plating	Thickness of Plating
Shell	Brass (HPb59-1)	Ternary Alloy or Silver Plated	2μ
Out conductor	Brass (HPb59-1)	Ternary Alloy or Silver Plated	2μ
Connecting nut	Brass (HPb59-1)	Ternary Alloy or Nickel Plated	2μ
Sealing	Silicone Rubber		
Probe	Brass (HPb59-1)	Silver Plated	3μ
Insulator	PTEF (SFX-1)		

Product Dimensions:



4.3/10 MALE TO 4.3/10 MALE RF ADAPTER

Specifications of 4.3/10(MINI DIN) Male to 4.3/10(MINI DIN) Male RF Adapter:

Mechanical characteristics:

Model		43MD/M-43MD/M
Frequency Range		0~6GHz
Contact Resistance	Inner Conductor	≤0.4 mΩ
	Outer Conductor	≤1.5 mΩ
Insulation Resistance		≥5000 MΩ
Withstanding Voltage AC(V/min)		≥3000V
VSWR		≤1.08(0~3GHz) , ≤1.20(0~6GHz)
PIM (2X43dBm)		<-165dBc (<-168dBc Typical)
Insertion Loss		≤0.1dB
Impedance		50Ω
Durability		500 Cycles

When results tested by different analyzers are different should adopt the HP testing device as criteria.

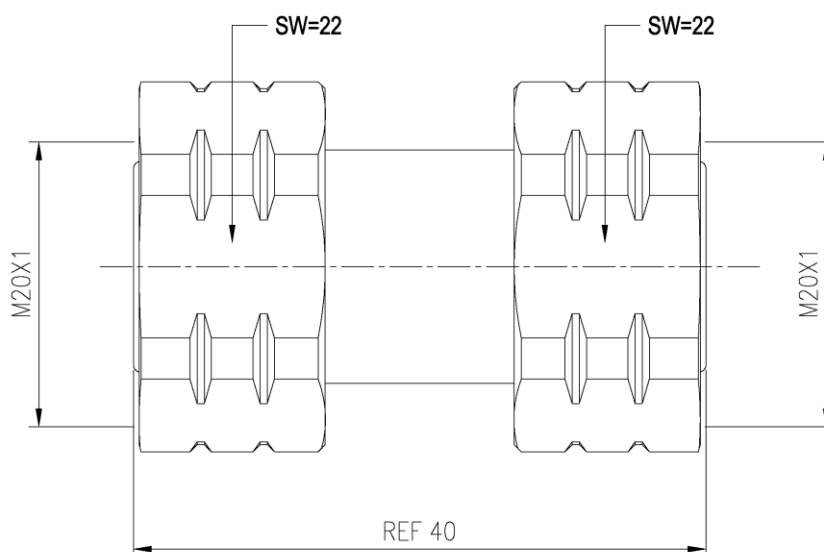
Working environment: Working temperature: -55~+155°, Relative moisture : 90%~95%(Temperature: 40±2°C)

Atmospheric pressure: (70~106)Kpa.

Material & Plating:

Name of Part	Material	Plating	Thickness of Plating
Shell	Brass (HPb59-1)	Ternary Alloy or Silver Plated	2μ
Out conductor	Brass (HPb59-1)	Ternary Alloy or Silver Plated	2μ
Connecting nut	Brass (HPb59-1)	Ternary Alloy or Nickel Plated	2μ
Sealing	Silicone Rubber		
Probe	Brass (HPb59-1)	Silver Plated	3μ
Insulator	PTEF (SFX-1)		

Product Dimensions:



4.3/10 MALE TO N FEMALE RF ADAPTER

Specifications of 4.3/10(MINI DIN) Male to N Female RF Adapter:

Mechanical characteristics:

Model	43MD/M-N/F	
Frequency Range	0~6GHz	
Contact Resistance	Inner Conductor	≤0.4 mΩ
	Outer Conductor	≤1.5 mΩ
Insulation Resistance	≥5000 MΩ	
Withstanding Voltage AC(V/min)	≥3000V	
VSWR	≤1.08(0~3GHz) , ≤1.20(0~6GHz)	
PIM (2X43dBm)	<-165dBc (<-168dBc Typical)	
Insertion Loss	≤0.1dB	
Impedance	50Ω	
Durability	500 Cycles	

When results tested by different analyzers are different should adopt the HP testing device as criteria.

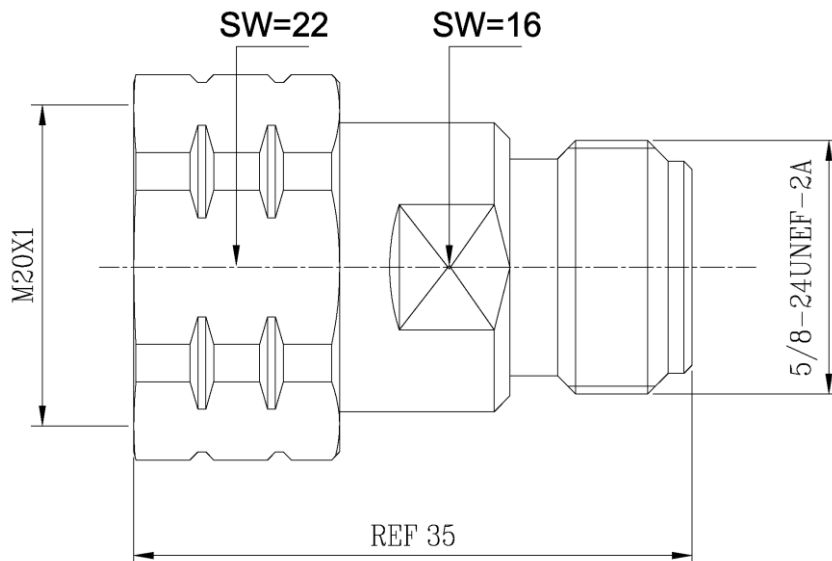
Working environment: Working temperature: -55~+155°, Relative moisture : 90%~95%(Temperature: 40±2°C)

Atmospheric pressure: (70~106)Kpa.

Material & Plating:

Name of Part	Material	Plating	Thickness of Plating
Shell	Brass (HPb59-1)	Ternary Alloy or Silver Plated	2μ
Out conductor	Brass (HPb59-1)	Ternary Alloy or Silver Plated	2μ
Connecting nut	Brass (HPb59-1)	Ternary Alloy or Nickel Plated	2μ
Sealing	Silicone Rubber		
Probe	Brass (HPb59-1)	Silver Plated	3μ
Insulator	PTEF (SFX-1)		

Product Dimensions:



4.3/10 FEMALE TO N MALE RF ADAPTER

Specifications of 4.3/10(MINI DIN) Female to N Male RF Adapter:

Mechanical characteristics:

Model		43MD/F-N/M
Frequency Range		0~6GHz
Contact Resistance	Inner Conductor	≤0.4 mΩ
	Outer Conductor	≤1.5 mΩ
Insulation Resistance		≥5000 MΩ
Withstanding Voltage AC(V/min)		≥3000V
VSWR		≤1.08(0~3GHz) , ≤1.20(0~6GHz)
PIM (2X43dBm)		<-165dBc (<-168dBc Typical)
Insertion Loss		≤0.1dB
Impedance		50Ω
Durability		500 Cycles

When results tested by different analyzers are different should adopt the HP testing device as criteria.

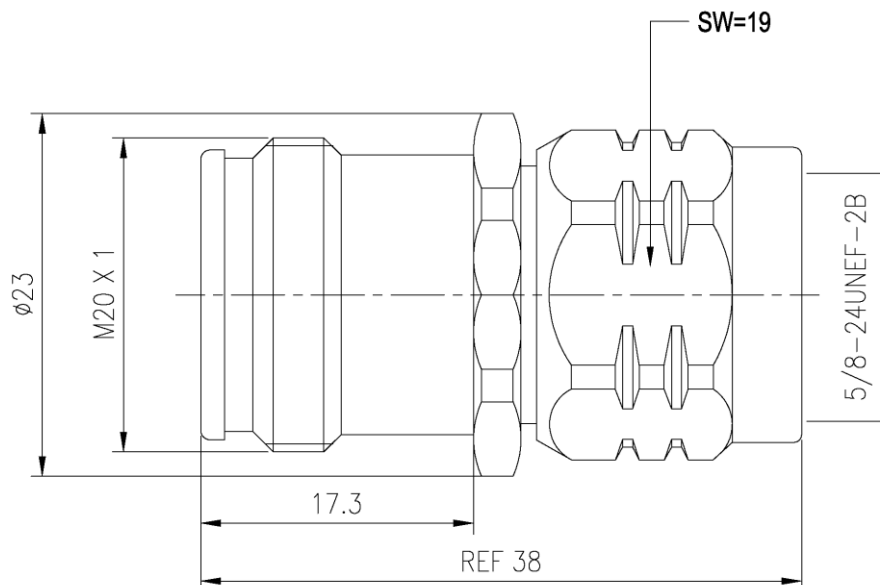
Working environment: Working temperature: -55~+155°, Relative moisture : 90%~95%(Temperature: 40±2°C)

Atmospheric pressure: (70~106)Kpa.

Material & Plating:

Name of Part	Material	Plating	Thickness of Plating
Shell	Brass (HPb59-1)	Ternary Alloy or Silver Plated	2μ
Out conductor	Brass (HPb59-1)	Ternary Alloy or Silver Plated	2μ
Connecting nut	Brass (HPb59-1)	Ternary Alloy or Nickel Plated	2μ
Sealing	Silicone Rubber		
Probe	Brass (HPb59-1)	Silver Plated	3μ
Insulator	PTEF (SFX-1)		

Product Dimensions:



7/16(DIN) MALE TO 4.3/10 MALE RF ADAPTER

Specifications of 7/16(DIN) Male to 4.3/10(MINI DIN) Male RF Adapter:

Mechanical characteristics:

Model		7/16(DIN)/M-43MD/M
Frequency Range		0~6GHz
Contact Resistance	Inner Conductor	≤0.4 mΩ
	Outer Conductor	≤1.5 mΩ
Insulation Resistance		≥5000 MΩ
Withstanding Voltage AC(V/min)		≥3000V
VSWR		≤1.08(0~3GHz) , ≤1.20(0~6GHz)
PIM (2X43dBm)		<-165dBc (<-168dBc Typical)
Insertion Loss		≤0.1dB
Impedance		50Ω
Durability		500 Cycles

When results tested by different analyzers are different should adopt the HP testing device as criteria.

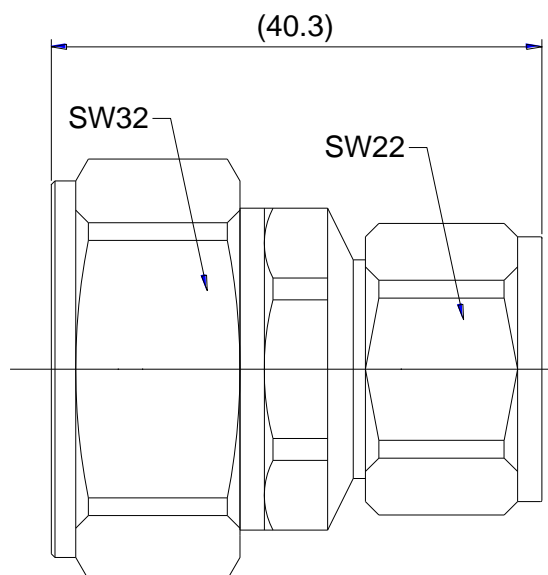
Working environment: Working temperature: -55~+155°, Relative moisture : 90%~95%(Temperature: 40±2°C)

Atmospheric pressure: (70~106)Kpa.

Material & Plating:

Name of Part	Material	Plating	Thickness of Plating
Shell	Brass (HPb59-1)	Ternary Alloy or Silver Plated	2μ
Out conductor	Brass (HPb59-1)	Ternary Alloy or Silver Plated	2μ
Connecting nut	Brass (HPb59-1)	Ternary Alloy or Nickel Plated	2μ
Sealing	Silicone Rubber		
Probe	Brass (HPb59-1)	Silver Plated	3μ
Insulator	PTEF (SFX-1)		

Product Dimensions:



7/16(DIN) MALE TO 4.3/10 FEMALE RF ADAPTER

Specifications of 7/16(DIN) Male to 4.3/10(MINI DIN) Female RF Adapter:

Mechanical characteristics:

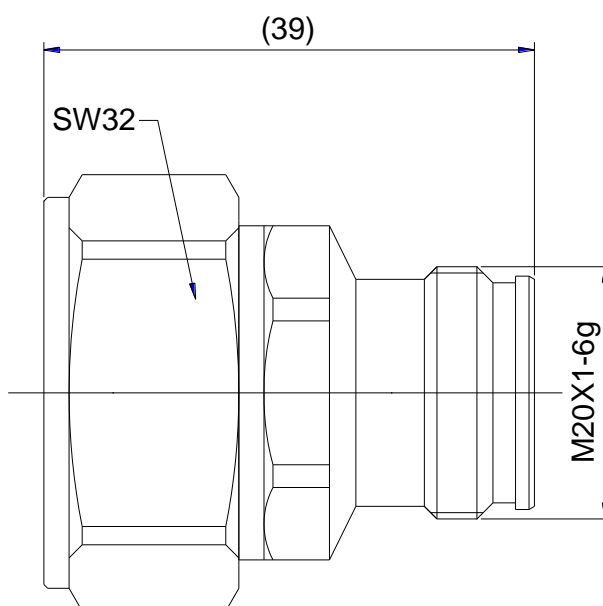
Model	7/16(DIN)/M-43MD/F	
Frequency Range	0~6GHz	
Contact Resistance	Inner Conductor	≤0.4 mΩ
	Outer Conductor	≤1.5 mΩ
Insulation Resistance	≥5000 MΩ	
Withstanding Voltage AC(V/min)	≥3000V	
VSWR	≤1.08(0~3GHz) , ≤1.20(0~6GHz)	
PIM (2X43dBm)	<-165dBc (<-168dBc Typical)	
Insertion Loss	≤0.1dB	
Impedance	50Ω	
Durability	500 Cycles	

Working environment: Working temperature: -55~+155°, Relative moisture : 90%~95%(Temperature: 40±2°C)
 Atmospheric pressure: (70~106)Kpa.

Material & Plating:

Name of Part	Material	Plating	Thickness of Plating
Shell	Brass (HPb59-1)	Ternary Alloy or Silver Plated	2μ
Out conductor	Brass (HPb59-1)	Ternary Alloy or Silver Plated	2μ
Connecting nut	Brass (HPb59-1)	Ternary Alloy or Nickel Plated	2μ
Sealing	Silicone Rubber		
Probe	Brass (HPb59-1)	Silver Plated	3μ
Insulator	PTEF (SFX-1)		

Product Dimensions:



When results tested by different analyzers are different should adopt the HP testing device as criteria.

7/16(DIN) FEMALE TO 4.3/10 MALE RF ADAPTER

Specifications of 7/16(DIN) Female to 4.3/10(MINI DIN) Male RF Adapter:

Mechanical characteristics:

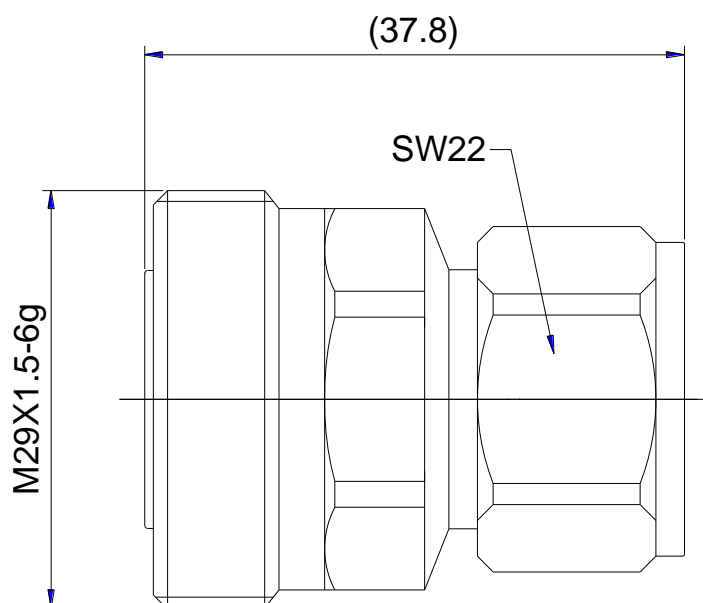
Model	7/16(DIN)/F-43MD/M	
Frequency Range	0~6GHz	
Contact Resistance	Inner Conductor	≤0.4 mΩ
	Outer Conductor	≤1.5 mΩ
Insulation Resistance	≥5000 MΩ	
Withstanding Voltage AC(V/min)	≥3000V	
VSWR	≤1.08(0~3GHz) , ≤1.20(0~6GHz)	
PIM (2X43dBm)	<-165dBc (<-168dBc Typical)	
Insertion Loss	≤0.1dB	
Impedance	50Ω	
Durability	500 Cycles	

Working environment: Working temperature: -55~+155°, Relative moisture : 90%~95%(Temperature: 40±2°C)
 Atmospheric pressure: (70~106)Kpa.

Material & Plating:

Name of Part	Material	Plating	Thickness of Plating
Shell	Brass (HPb59-1)	Ternary Alloy or Silver Plated	2μ
Out conductor	Brass (HPb59-1)	Ternary Alloy or Silver Plated	2μ
Connecting nut	Brass (HPb59-1)	Ternary Alloy or Nickel Plated	2μ
Sealing	Silicone Rubber		
Probe	Brass (HPb59-1)	Silver Plated	3μ
Insulator	PTEF (SFX-1)		

Product Dimensions:



When results tested by different analyzers are different should adopt the HP testing device as criteria.

7/16(DIN) FEMALE TO 4.3/10 FEMALE RF ADAPTER

Specifications of 7/16(DIN) Female to 4.3/10(MINI DIN) Female RF Adapter:

Mechanical characteristics:

Model		7/16(DIN)/F-43MD/F
Frequency Range		0~6GHz
Contact Resistance	Inner Conductor	≤0.4 mΩ
	Outer Conductor	≤1.5 mΩ
Insulation Resistance		≥5000 MΩ
Withstanding Voltage AC(V/min)		≥3000V
VSWR		≤1.08(0~3GHz) , ≤1.20(0~6GHz)
PIM (2X43dBm)		<-165dBc (<-168dBc Typical)
Insertion Loss		≤0.1dB
Impedance		50Ω
Durability		500 Cycles

When results tested by different analyzers are different should adopt the HP testing device as criteria.

Working environment: Working temperature: -55~+155°, Relative moisture : 90%~95%(Temperature: 40±2°C)

Atmospheric pressure: (70~106)Kpa.

Material & Plating:

Name of Part	Material	Plating	Thickness of Plating
Shell	Brass (HPb59-1)	Ternary Alloy or Silver Plated	2μ
Out conductor	Brass (HPb59-1)	Ternary Alloy or Silver Plated	2μ
Connecting nut	Brass (HPb59-1)	Ternary Alloy or Nickel Plated	2μ
Sealing	Silicone Rubber		
Probe	Brass (HPb59-1)	Silver Plated	3μ
Insulator	PTEF (SFX-1)		

Product Dimensions:

